

Location: _____

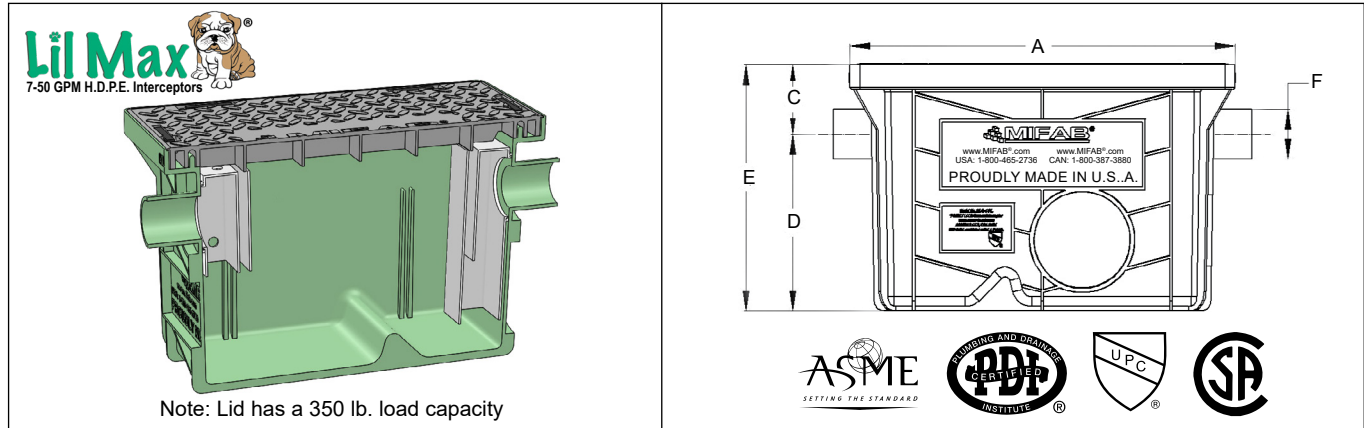


Lil
(MI-G-PL)

Lil Max® – 7 to 50 GPM HDPE Grease Interceptors

Specification: MIFAB® Series Lil-(specify size) HDPE injection molded hydromechanical grease interceptor with flow rating of ____ (indicate) and grease holding capacity of ____ (indicate). Unit shall include: removable baffle assembly, deep seal trap covered by lid, sewer gas stopper, securing latches, external vented flow control fitting, internal air relief by pass, HDPE injection molded, non skid, rectangular gasketed lid(s). Interceptor shall be tested and certified to the P.D.I. Standard PDI-G101, CSA B481, A.S.M.E. A112.14.3 and listed with I.A.P.M.O. Lil Max grease interceptors are also in compliance with International Plumbing Code (I.P.C.) / I.C.C. by I.A.P.M.O.

Function: Used in restaurants, kitchens, institutions and other types of food processing areas where fat, oil and grease (FOG) drains with the waste water. External flow control fitting must be installed according to manufacturer's instructions to control rate of flow into the interceptor and therefore, the operating efficiency. Interceptor may be installed on the ground, semi recessed or flush with the floor. Simple latch lid design permits fast and easy removal of the lid for cleaning and maintenance. HDPE injection molded body and lid is covered by a limited lifetime warranty. Sewer gas stopper prevents foul odors from entering the kitchen area through the interceptor. All Lil Max interceptors can withstand a temperature of up to and including 180 degrees Fahrenheit.



MODEL NO.	FLOW RATE (GPM)	GREASE CAP. (LBS.) per PDI	LIQUID CAP. (Gallons)	GREASE DESIGN CAPACITY (Lbs.)	A (IN)	B (IN) WIDTH	C (IN)	D (IN)	E (IN)	F (IN)	Shipping Weight (lbs.) (in box)	Box Dimensions (L x W x H)
Lil-7	7	14	5.8	43	19.5	15.5	3.5	9	12.5	2	16	22" x 16" x 13"
Lil-10	10	20	8.5	48	23	17.5	3.5	9.75	13.25	2	25	25" x 18" x 14"
Lil-15	15	30	13	57	23	17.5	3.5	13.25	16.75	2	28	25" x 18" x 17.5"
Lil-20	20	40	16	84	29.5	20.5	3.5	10.75	14.25	3	36	32" x 21" x 15"
Lil-25	25	50	23	91	29.5	20.5	3.5	14.75	18.25	3	39	32" x 21" x 19"
Lil-35	35	70	39	130	33	25.5	5.5	16.75	22.25	3	52	35" x 26" x 23"
Lil-50	50	100	44	140	33	25.5	5.5	18.75	24.25	3	66	35" x 26" x 25"
Lil-25-LP	25	50	19	85	33	25.5	3.5	7 1/2"	11"	3	43	35" x 26" x 13"

Suffix	Description
-C	Extension "C" as required (up to 9" increments) (for models Lil-20 and Lil-25) (contact MIFAB® for other model extensions)
-C	Extension "C" as required (up to 9" increments) (for models Lil-35, Lil-50 and Lil-25-LP)
-DP	Dosing Pump
-EP	Enzyme port
-F	Connection sizes different from standard (specify size) (by using a MIFAB MI-HUB increasing / reducing coupling).
-HD	Heavy duty 10 gauge steel lid (up to 2,000 lbs.) - see MI-CS cover shrouds from the MPB price book
-HLA	High level alarm and float switch (to be installed on site)
-LHSI	No hub inlet on left hand side (not available with sediment bucket)
-OP	Internal flow control (does not meet PDI Standards)
-POK	Remote pump out kit

-RHSI	No hub inlet on right hand side (not available with sediment bucket)
-RPO	4" Remote pump outlet connections on top of interceptor - specify location and number required
-SB	Sediment bucket for Lil-7
-SB	Sediment bucket for Lil-10
-SB	Sediment bucket for Lil-15
-SB	Sediment bucket for Lil-20
-SB	Sediment bucket for Lil-25
-SB	Sediment bucket for Lil-35
-SB	Sediment bucket for Lil-50
-SB	Sediment bucket for Lil-25-LP
-SP-IN	External Sampling Port - inline (part # Lil-SP)
-SP-OFF	External Sampling Port - offset (part # Lil-SP-OFF)
-T	Female threaded connections

CALIFORNIA PROPOSITION 65 WARNING. This product contains chemicals known to the State of California to cause cancer and birth defects or other reproductive harm.

Job Name: _____ Page No: _____
 Section No: _____ Contractor: _____
 Schedule No: _____ Purchase Order No: _____

MIFAB® reserves the right to make changes in material and design without formal notice and obligation.

USA: 1-800-465-2736 www.mifab.com CAN: 1-800-387-3880

2019-01-28