

Location: _____

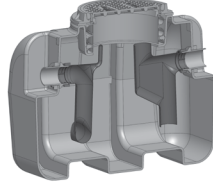
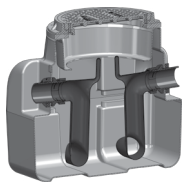


BIG

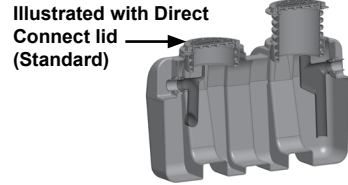
**Big Max® – 50, 75 and 100 GPM
HDPE Grease Interceptors**

Specification: MIFAB® Series BIG _____ HDPE rotational molded grease interceptor with flow rating of _____ (indicate) and liquid holding capacity of _____ (indicate). Unit shall include: 3/8" uniform wall thickness, deep seal trap covered by lid, internal air relief by-pass, adjustable lid system, stainless steel calibrated orifice plate (internal flow control), sample port access and 4" no hub inlet and outlet connections. Steel encased composite lid provides a water / gas tight seal and has a minimum of 20,000 lbs. load capacity. The lid is designed in accordance with the loading requirements of AASHTO H20. Interceptor shall be tested and certified to the P.D.I. Standard PDI-G101 (when installed with an external, vented flow control fitting), CSA B481, A.S.M.E. A112.14.3 and listed with I.A.P.M.O. Big Max grease interceptors are also in compliance with International Plumbing Code (I.P.C.) / I.C.C. by I.A.P.M.O.

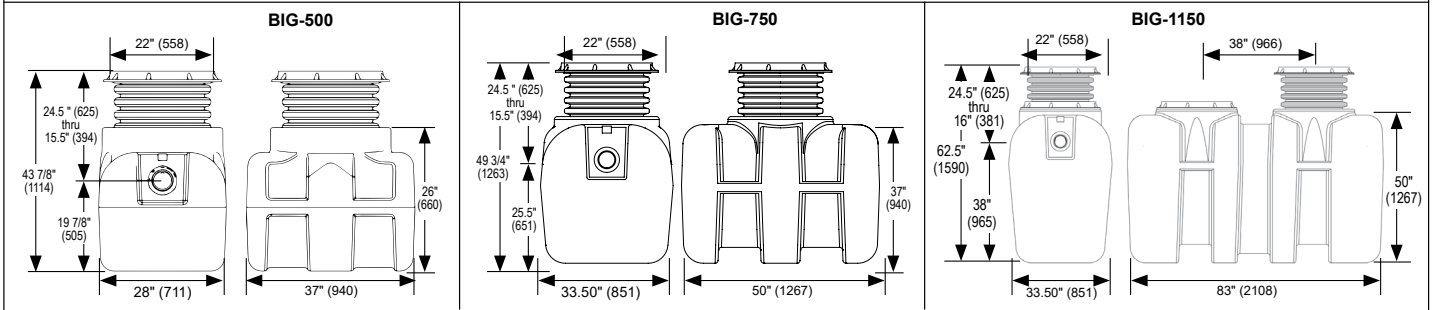
Function: Used in restaurants, kitchens, institutional and industrial facilities such as food processing and packaging plants and other types of food processing areas where fat, oil and grease (FOG) drains with the waste water. Typically installed either on or into the floor. Narrow width permits access through doorways and down stairwells. High Density Polyethylene construction ensures a lightweight installation process (two people can move and install it). Regular maintenance is required to keep the interceptor functioning. All Big Max interceptors can withstand a temperature of up to and including 180 degrees Fahrenheit.



U.S. Patent # 9,551,142



Illustrated with Direct Connect lid (Standard)



Model No.	Flow Rate (GPM)	Grease Design Capacity	Liquid Holding Capacity (Gallons / Cu. Ft.)	Sediment Capacity (Gallons)	B Width	Shipping Weight (Lbs.)
BIG-500	50	250 Lbs. (35 Gallons)	55 / 7.19	28	28.00"	92
BIG-750	75	501 Lbs. (70 Gallons)	140 / 18.6	42	33.50"	150
BIG-1150	100	1,556 Lbs. (218 Gallons)	300 / 40	115	33.50"	275

Note: the BIG-500, BIG-750 and BIG-1150 models only meet PDI Standards when installed with an external, vented flow control fitting.

SUFFIX	OPTIONAL VARIATIONS	PART NO.
-AK	Anchor kit (set of two) for BIG-500	BIG-500-AK-SET
-AK	Anchor kit (set of two) for BIG-750	BIG-750-AK-SET
-AK	Anchor kit (set of two) for BIG-1150	BIG-1150-AK-SET
-C	Lid Extension - up to 44" high - for BIG-500 and BIG-750	BIG-750-EXT-44
-C	Lid Extension - up to 72" high - for BIG-500 and BIG-750	BIG-750-EXT-72
-C	Lid Extension - up to 94" high - for BIG-500 and BIG-750	BIG-750-EXT-94
-C	Lid Extension - up to 44" high - for BIG-1150	BIG-1150-EXT-44 (2 pcs. Incl.)
-C	Lid Extension - up to 72" high - for BIG-1150	BIG-1150-EXT-72 (2 pcs. Incl.)
-C	Lid Extension - up to 94" high - for BIG-1150	BIG-1150-EXT-94 (2 pcs. Incl.)
-DI	Ductile iron lid and collar - for BIG-500	XL-MI-G-0-PL4
-DI	Ductile iron lid and collar - for BIG-750	XL-MI-G-0-PL4
-DI	Ductile iron lid and collar - for BIG-1150 (2 pcs. Included)	XL-MI-G-0-PL4 (2 pcs. Included)
-DP	Dosing Pump for Lil Max, Big Max, SuperMax	XL-MI-PL-DP
-EP	Enzyme port for Lil Max, Big Max, SuperMax	XL-MI-PL-EP
-F6	6" no hub inlet and outlet (2 pcs. Included) (flow rate of 700 GPM with 6" connections)	MI-G-PL-PF6
-FL-C	Membrane clamp kit for BIG-500 and BIG-750	XL-MI-G-PL-FLM
-FL-C	Membrane clamp kit for BIG-1150 (2 pcs. Included)	XL-MI-G-PL-FLM (2 pcs. Included)
-HF	250 GPM flow rate (with 4" connections)	
-HLA	High level alarm and float switch (to be installed on site) (for Lil Max, Big Max, SuperMax)	XL-MI-PL-HLA
-LHSI	No hub inlet on left hand side (not available with sediment bucket) (for Lil Max, Big Max, SuperMax)	MI-G-PL-PF4
-LHSO	No hub outlet on left hand side (not available with sediment bucket) (for Lil Max, Big Max, SuperMax)	MI-G-PL-PF4
-PDI	PDI plate and external, vented flow control fitting (to meet PDI G-101 Standard)	-PDI
-POK	Remote pump out kit	BIG-MAX-POK
-RHSI	No hub inlet on right hand side (not available with sediment bucket) (for Lil Max, Big Max, SuperMax)	MI-G-PL-PF4
-RHSO	No hub outlet on right hand side (not available with sediment bucket) (for Lil Max, Big Max, SuperMax)	MI-G-PL-PF4
-RPO	4" Remote pump outlet connections on top of interceptor - specify location and number required	BIG-MAX-RPO
-SB	Sediment bucket - for BIG-500	BIG-500-PSB
-SB	Sediment bucket - for BIG-750	BIG-750-PSB
-SB	Sediment bucket - for BIG-1150	BIG-1150-PSB
-SP	External sampling port - inline, high connections	BIG-SP
-SP-L	External sampling port - inline, low connections	BIG-SP-L
-SP-OF	External sampling port - offset	BIG-SP-OF
-T	Female threaded connections (2 pcs. Included)	MI-G-PL-PF4T

CALIFORNIA PROPOSITION 65 WARNING. This product contains chemicals known to the State of California to cause cancer and birth defects or other reproductive harm.

Job Name: _____ Page No: _____
 Section No: _____ Contractor: _____
 Schedule No: _____ Purchase Order No: _____